

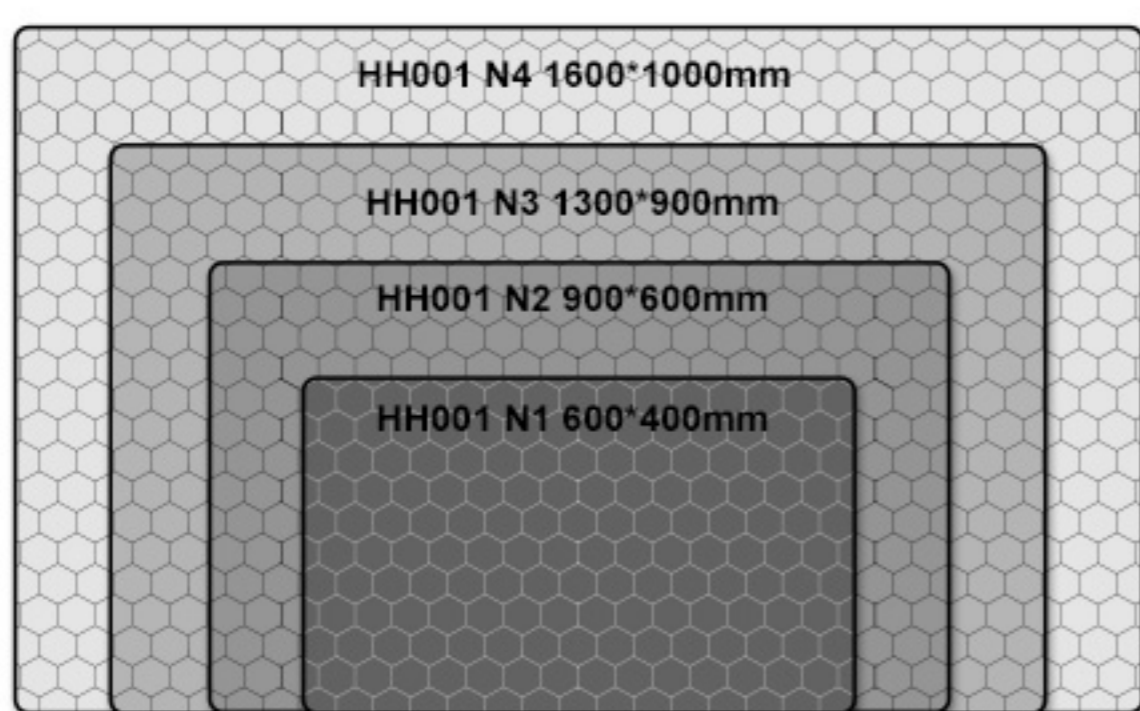
# Good-Laser HH001

CO2 laser machine series



## Multiple laser power configurations of 4 size in full series laser machine

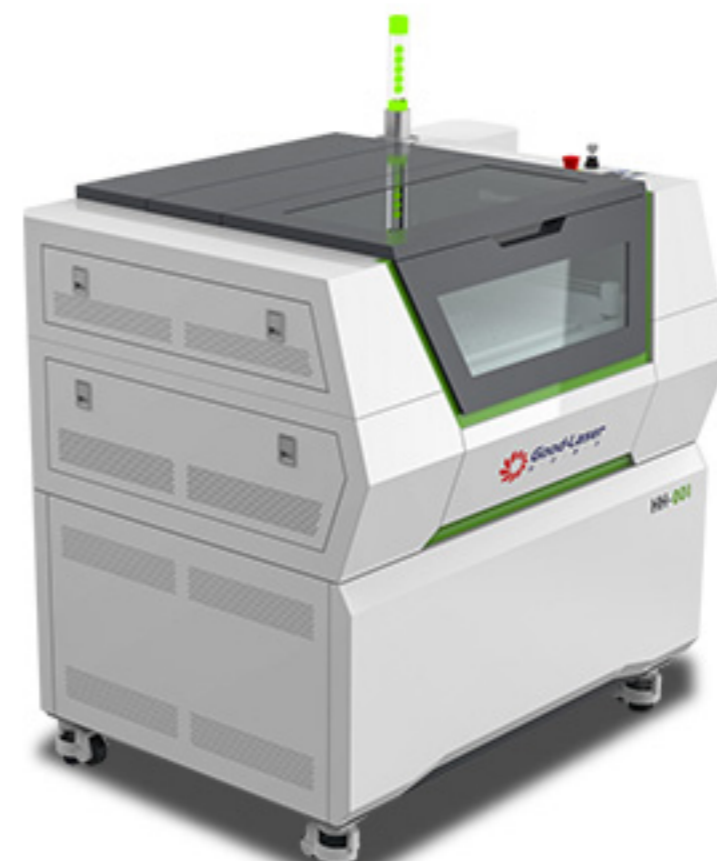
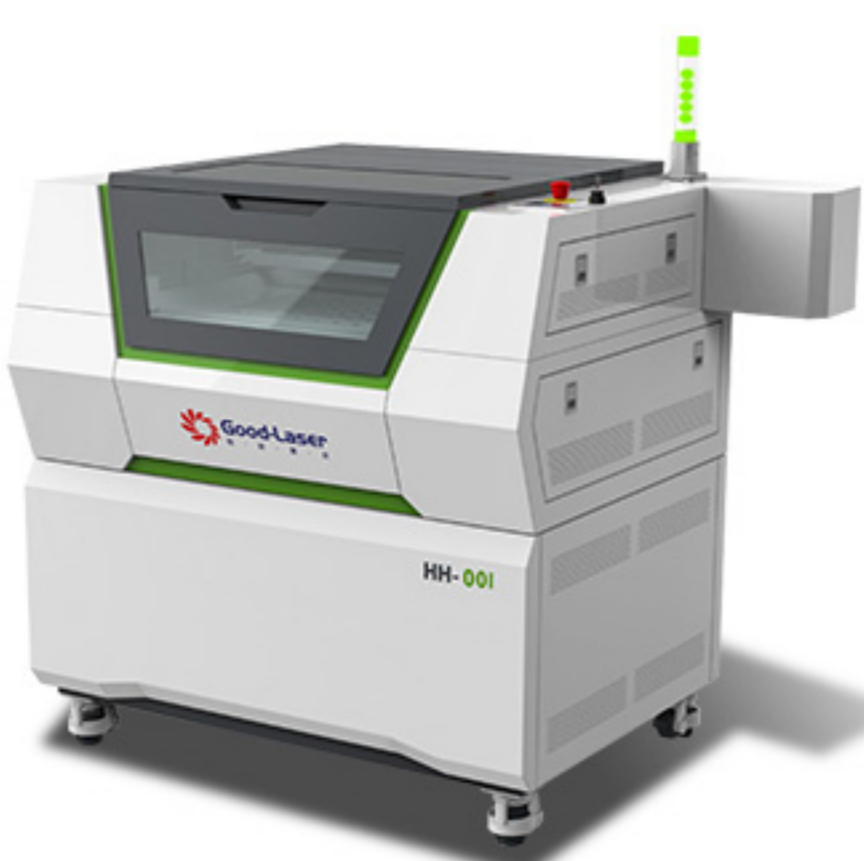
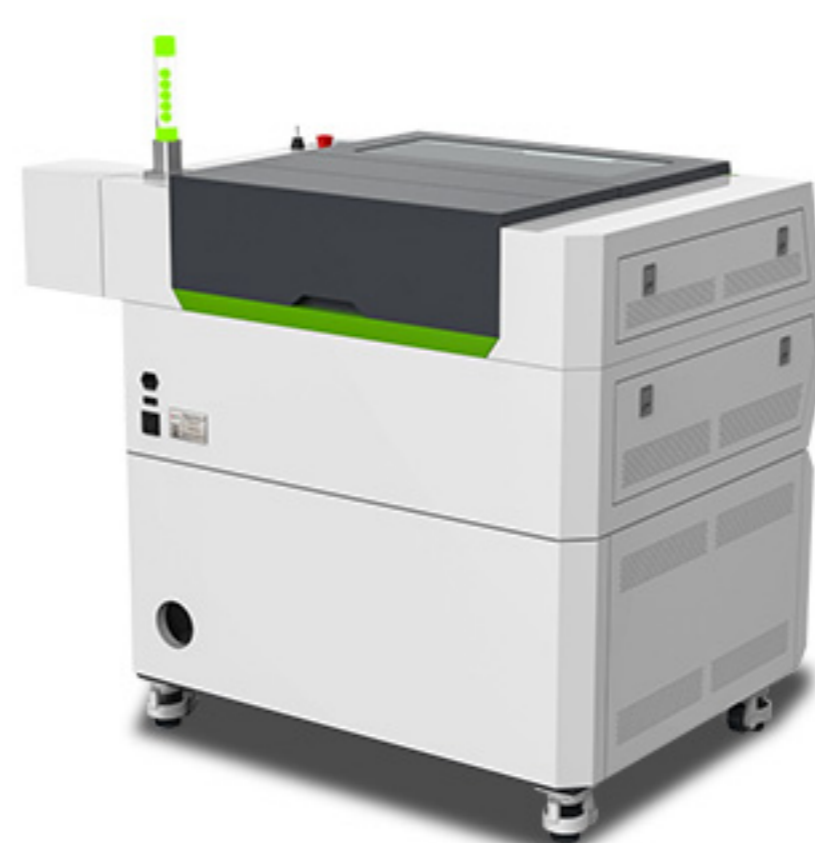
Different models with a variety of laser power to meet different application requirements



**Laser type:** DC CO2

**Laser Power:** 40W-130W

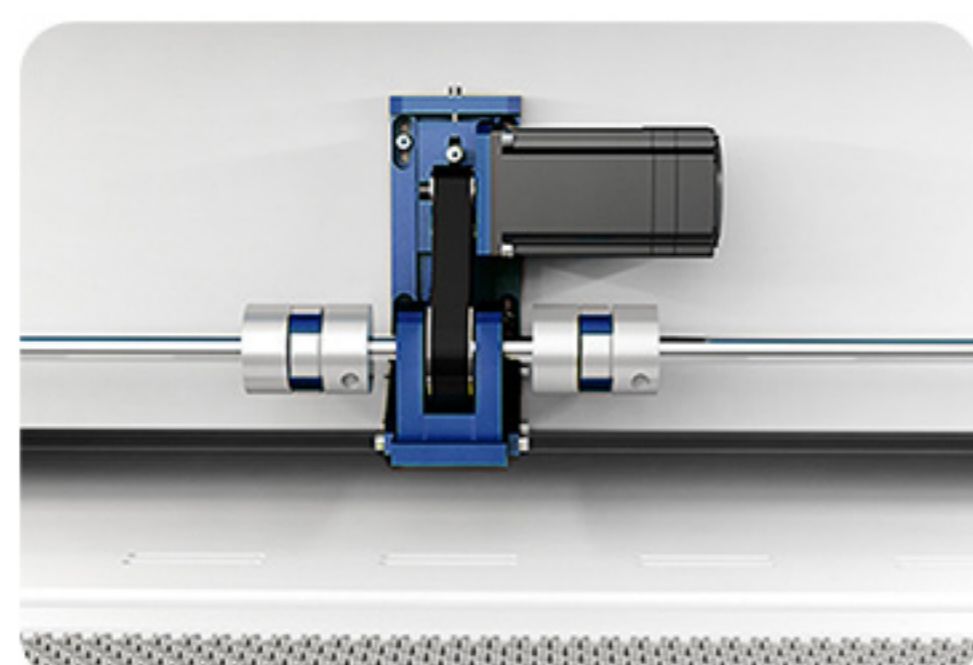
**Working area:** HH001 N1 600\*400mm  
HH001 N2 900\*600mm  
HH001 N3 1300\*900mm  
HH001 N4 1600\*1000mm



# For the excellent cutting and engraving works

## Faster and Quieter

Shock-proof and high safety thanks to the advanced high-performance hybrid servo motor. It not only supports a working speed up to 1000mm/s but also runs more stably and with lower noise.



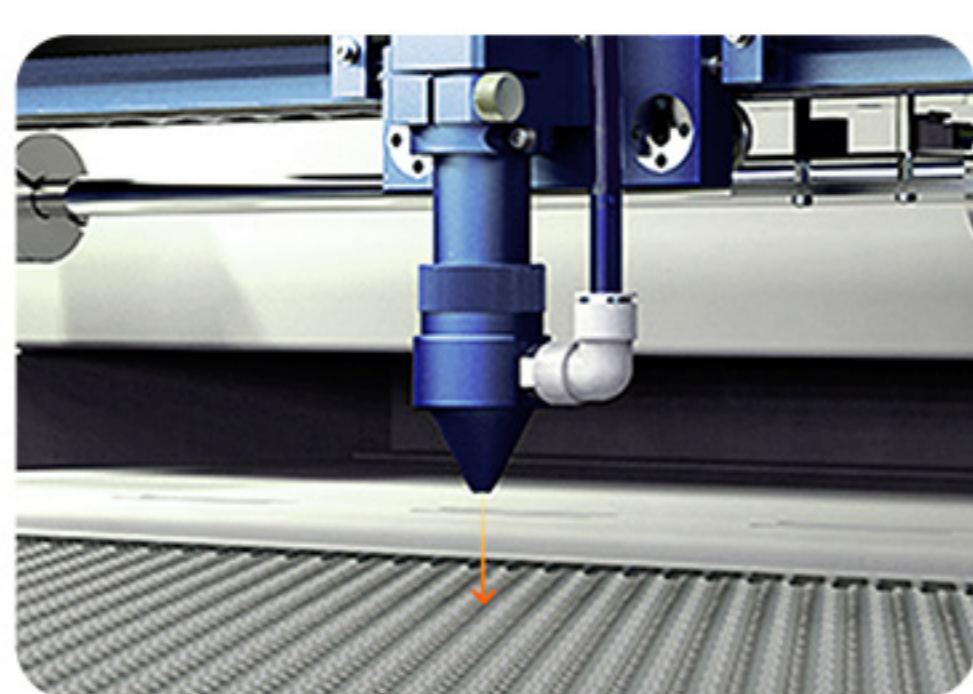
## High-quality laser tube

We have strict standards, testing, and inspection procedures for the laser tubes. The thickness of tubes is thicker than ordinary laser tubes, which is more secure and durable, and provides higher-quality carbon dioxide energy for delicate laser cutting and engraving work.



## Efficient autofocus + red dot positioning

The autofocus function can quickly and accurately focus and locate before cutting and engraving. Coupled with the beam positioned by the red dot to view the working position in real-time, it saves a lot of time and brings better cutting and engraving results.



## Considerate and advanced safety

1. Emergency stops
2. Alarm lamps
3. Water protection switches
4. Earth wiring
5. The built-in heat detector alarm automatically switches on in the event of abnormal machine activity
6. 5x open flap protection
7. The tempered glass material is durable protection window



## Specification

Laser System	HH001 N1	HH001 N2	HH001 N3	HH001 N4
Laser Tube Wattage	40-60Watt	80-100Watt	100-130Watt	80-100Watt
Work Area	600x400mm (23.6" x 15.7")	900x600mm (35.4" x 23.6")	1300x900mm (51.2"x35.4")	1600x1000mm (63.0"x39.4")
Max Part Size (WxLxH)	Front door closed (after taking out the honeycomb bed) (27.6" x 20.9" x6.7")	1000x730x230mm (39.4" x 28.7" x9.0")	1400x1030x230mm (55.1" x 40.6" x9.0")	1700x1130x230mm (66.9" x 44.5" x9.0")
	Pass-through door (27.6" x ∞" x 0.8")	1000x∞x20mm (39.4" x ∞" x0.8")	1400x∞x20mm (55.1" x ∞" x0.8")	1700x∞x20mm (66.9" x ∞" x0.8")
Table Size	700x530mm (27.6" x 20.9")	1000x730mm (39.4" x 28.7")	1400x1030mm (55.1" x40.6")	1700x1130mm (66.9" x 44.5")
Z Axis Height	150mm(5.9")	230mm(9.1")	230mm(9.1")	230mm(9.1")
Dimensions(WxDxH)	1070x810x610mm (42.1" x 31.9" x24")	1500x1105x1040mm (59.1" x 43.5" x40.9")	1900x1405x1040mm (74.8" x 55.3" x40.9")	2200x1505x1040mm (86.6" x 59.3" x40.9")
Net Weight	130kgs(287lbs)	310kgs(683lbs)	430kgs(948lbs)	470kgs(1036lbs)
Laser Type	Sealed Co2 Glass Laser Tube			
Cooling	Water Cooled			
Motion Control System	High-Speed Hybrid servo motors			
Maximum Speed	1000mm/S(39.4 IPS)			
Speed and Power Control (engraving depth)	Computer or manually controlled speed and power from 0-100%. Vector color mapping sets speed and power settings using RGB color mapping.			
Operating Modes	Optimized raster, vector, and combined mode			
Resolution(DPI)	User-controlled from 100 to 500DPI(standard laser head), up to 1000 DPI(HR head)			
Computer Interface	Ethernet and USB Connection			
Compatible Operating Systems	Windows XP/2000/Vista/7/8/10, macOS			
Buffer Memory	128MB Standard			
Display Panel	3.5" LCD panel showing current file, total working time, laser power, speed, etc.			
Electrical Requirements	110 to 240 volts, 50 or 60 Hz, single phase			
Ventilation System	Integral exhaust fan. There is 1 output port, 24/35:150mm, 51/63:200mm in diameter in the rear of the case.			

## Compatible materials

- Wood Acrylic Delrin Cloth Leather Mat Board Melamine Pressboard Paper Mylar Twill Cork  
Glass Coated Metals Ceramics Marble Rubber Wood Veneer Pressboard Fiberglass Plastic CorCoriank